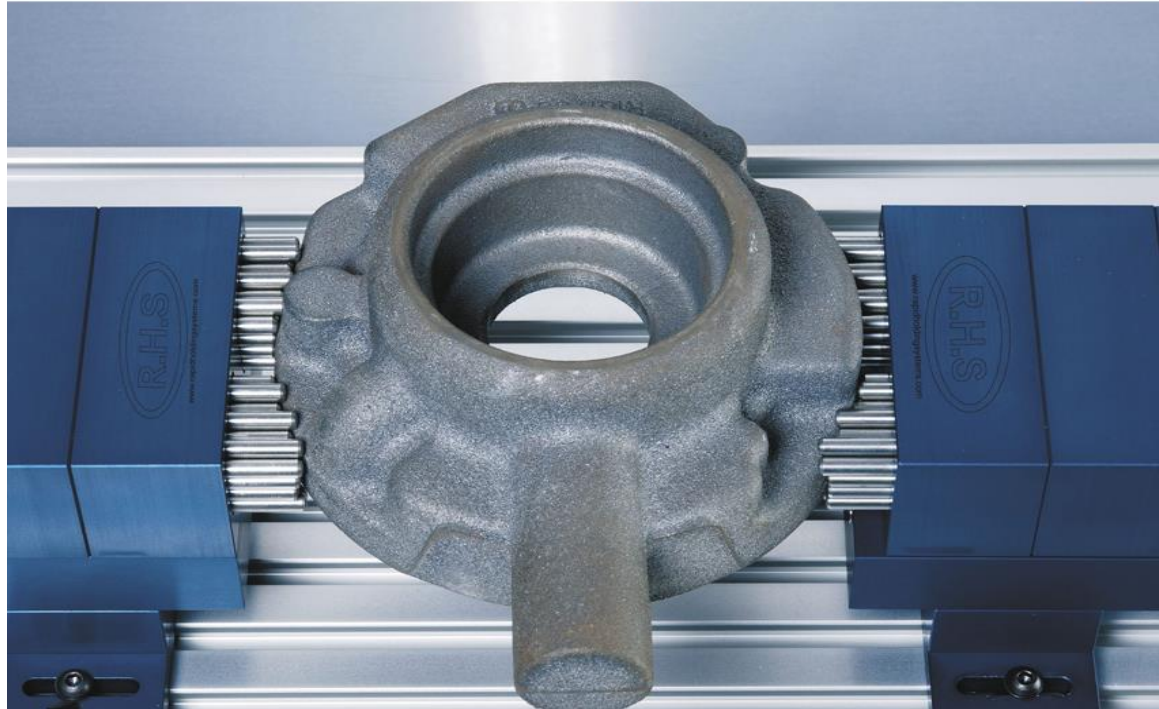
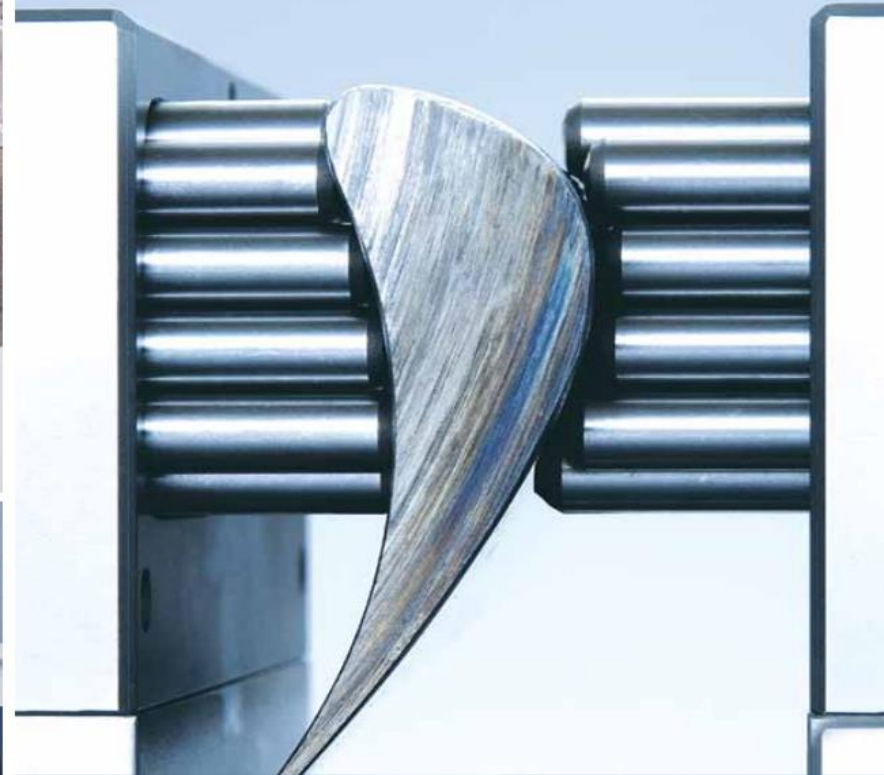


RHS

RAPID HOLDING SYSTEMS

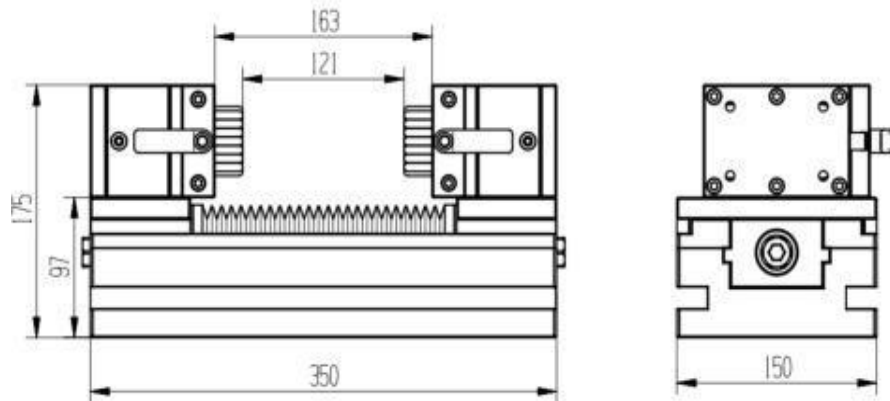
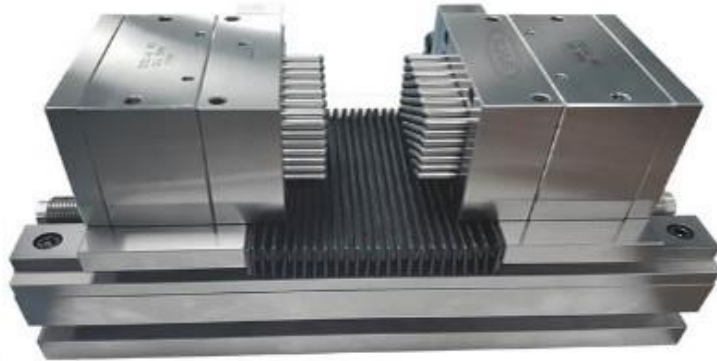
FLEXIBLE CLAMPING TECHNOLOGY
FOR MACHINING, QUALITY CONTROL
AND ASSEMBLY





RAPID HOLDING SYSTEMS

FLEXIBLE CLAMPING VISES



RHS-FV99

Flexible tool Plus centering vise

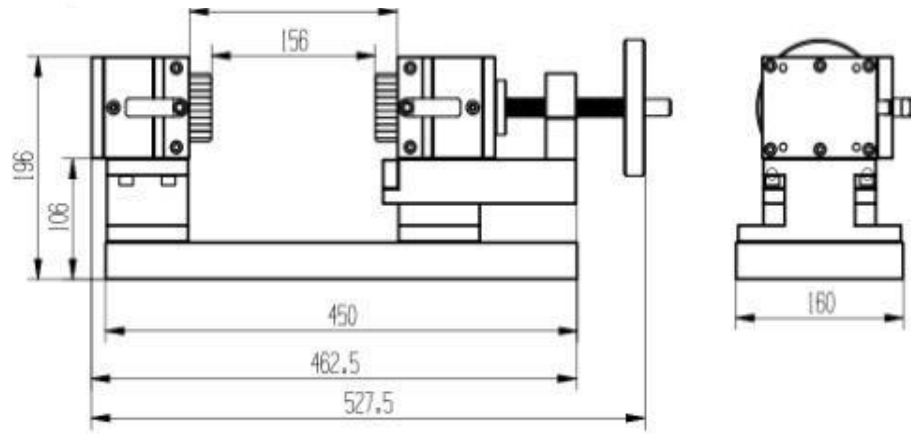
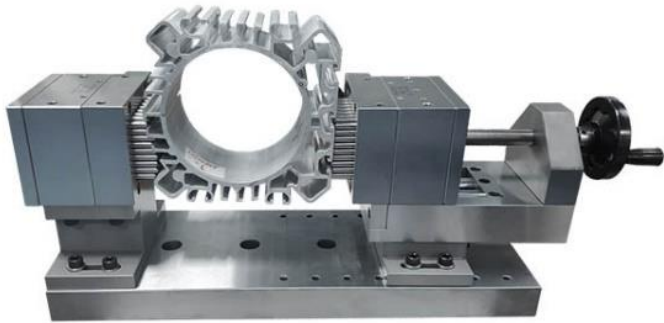
Specification

Size	350x150x175
Material	420 Steel 4 8-52HRC
Application	For processing various irregular parts



RAPID HOLDING SYSTEMS

FLEXIBLE CLAMPING VISES

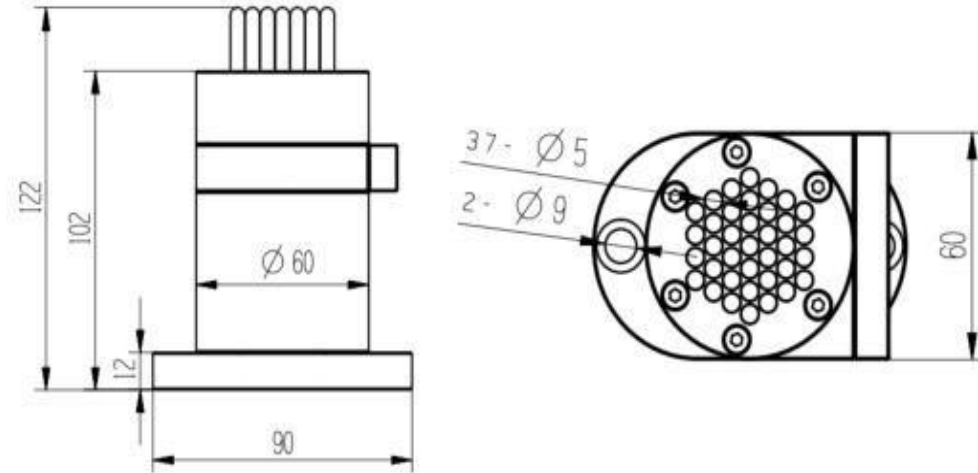


RHS-FV04 Flexible tool Plus side vise

Specification

Size	527.5x160x196
Material	420 Steel 4 8-52HRC
Application	For processing various irregular parts

FLEXIBLE CLAMPING VISES



D60 Inspection Flexible tool

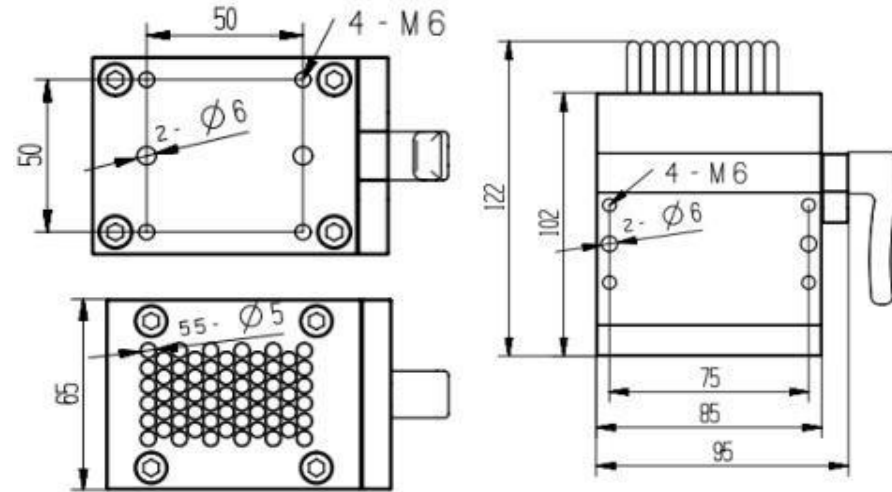
Specification

Size	90x60x122
Material	Steel 48-52HRC
Overall Max Load	3700kg
Locking force	100NM
Application	Suit for measuring, Assembling



RAPID HOLDING SYSTEMS

FLEXIBLE CLAMPING VISES



RHS-FV27

95x65 Inspection Flexing tools

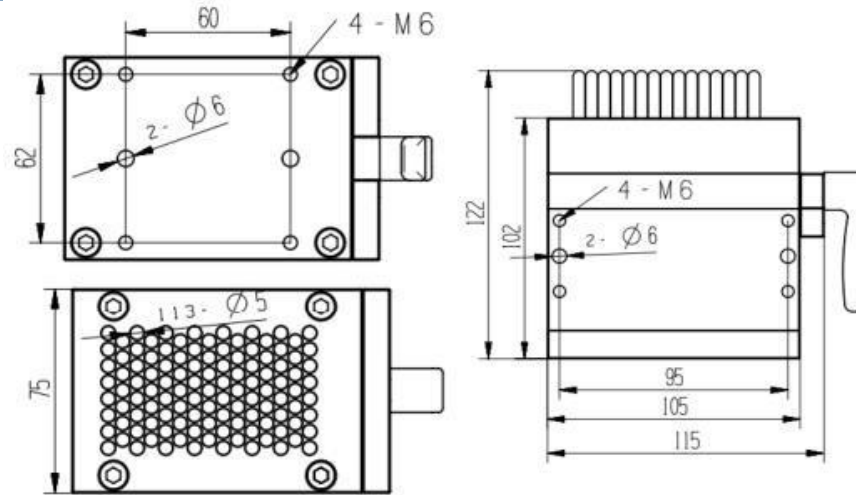
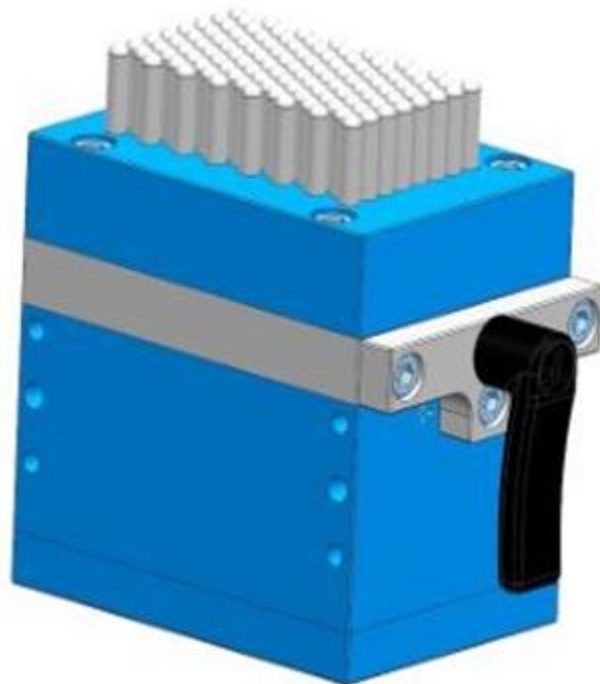
Specification

Size	95x65x122
Material	Steel 48-52HRC
Overall Max Load	5500kg
Locking force	100NM
Application	Suit for measuring, Assembling



RAPID HOLDING SYSTEMS

FLEXIBLE CLAMPING VISES



RHS-FV11

115x75 Inspection Flexible tool

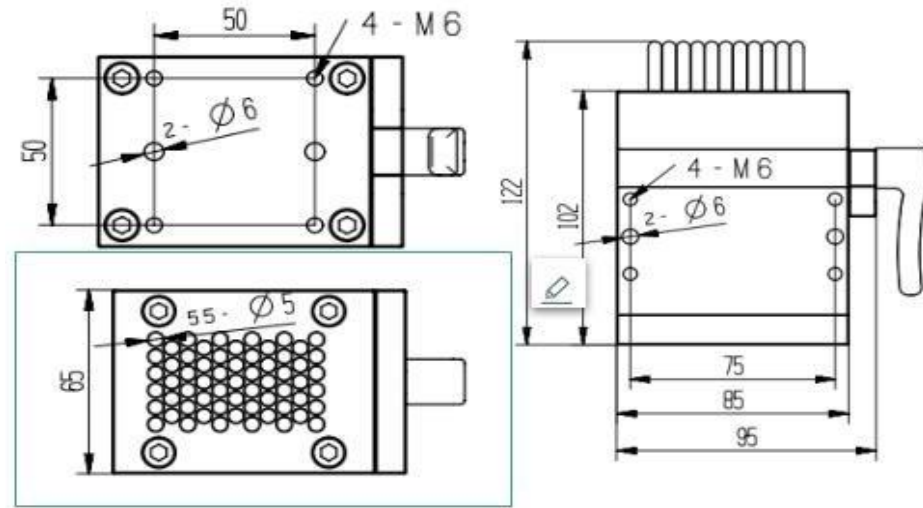
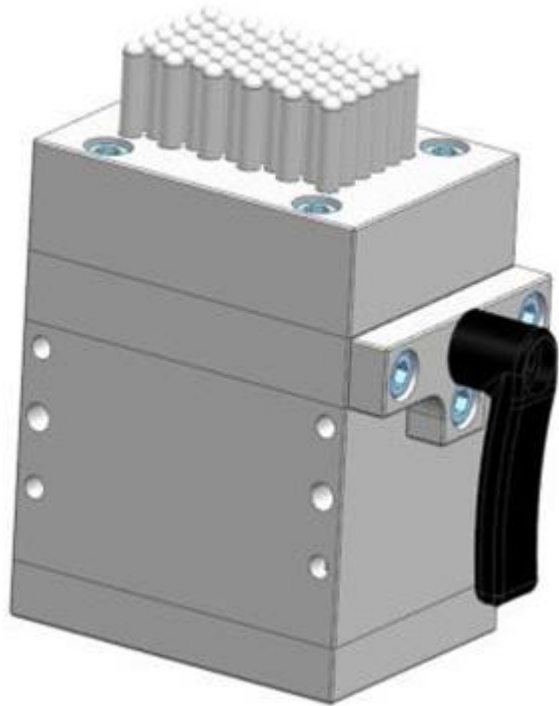
Specification

Size	115x75x122
Material	Steel 48-52HRC
Overall Max Load	11300kg
Locking force	100NM
Application	Suit for measuring, Assembling



RAPID HOLDING SYSTEMS

FLEXIBLE CLAMPING VISES

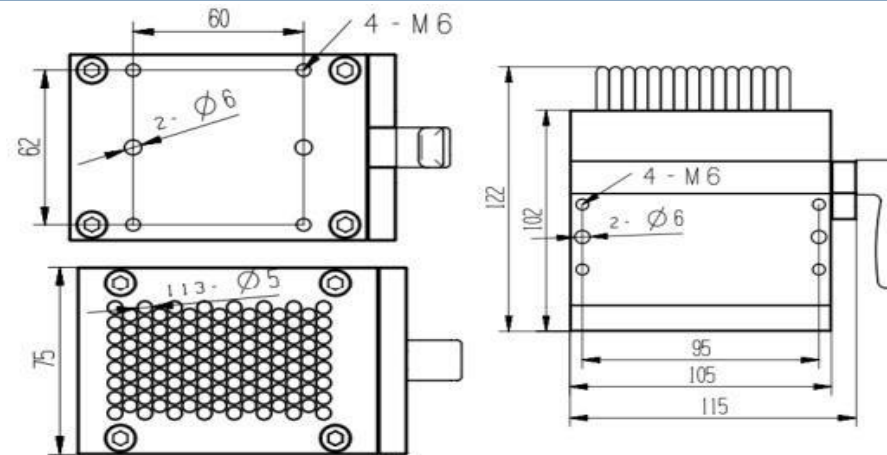
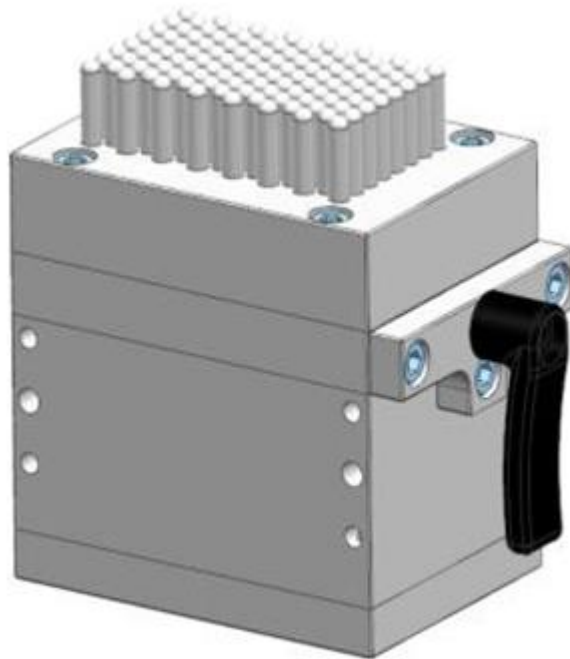


95x65 CNC Flexible tool

Specification

Size	95x65x122
Material	Steel 48-52HRC
Overall Max Load	11000kg
Locking force	100NM
Application	Suit for measuring, Asembling,CNC machining

FLEXIBLE CLAMPING VISES



115x75 CNC Flexible tool

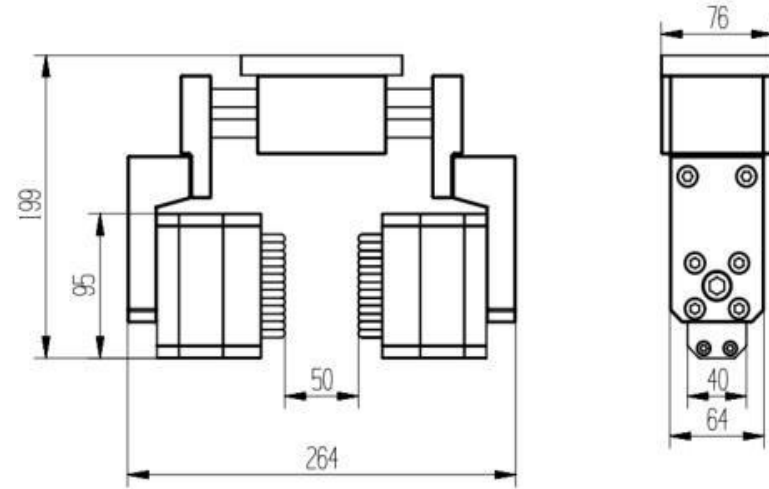
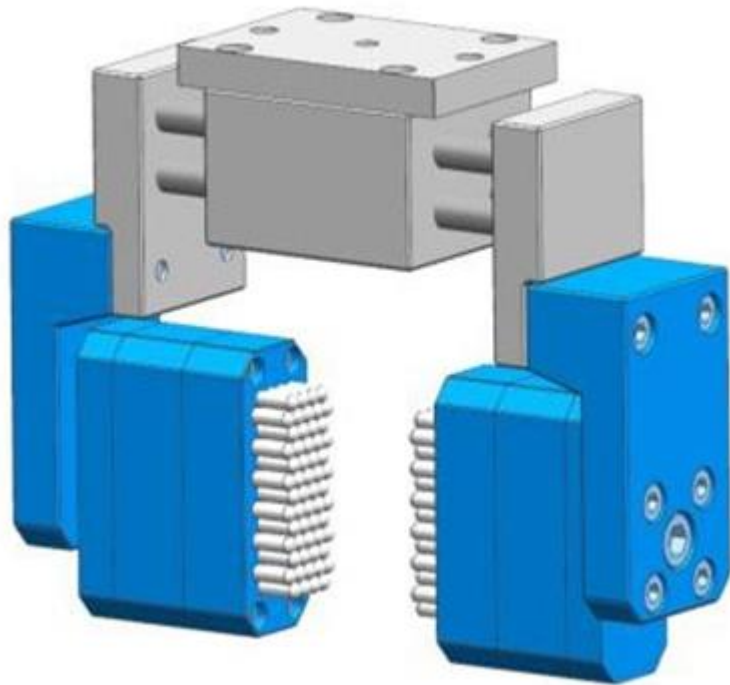
Specification

Size	115x75x122
Material	Steel 48-52HRC
Overall Max Load	22600kg
Locking force	100NM
Application	Suit for measuring, Asembling,CNC machining



RAPID HOLDING SYSTEMS

FLEXIBLE CLAMPING VISES



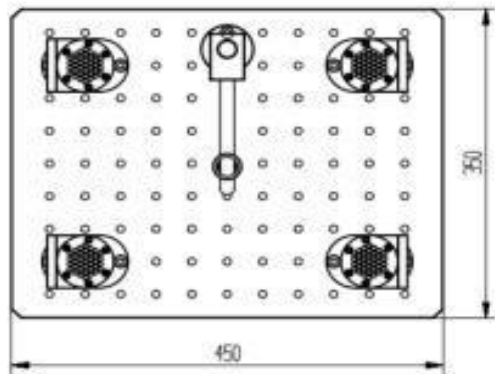
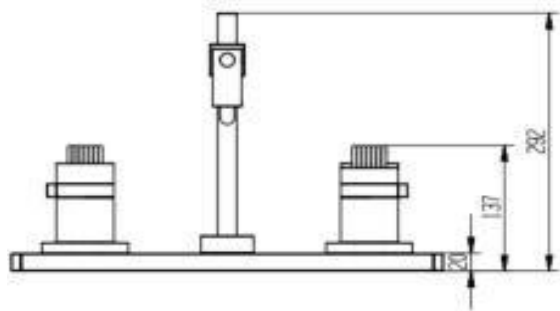
Robot finger Flexible tool

Specification	
Size	264x76x199
Material	Steel 48-52HRC
Overall Max Load	5800kg
Max Locking force	10000NM
Application	Suit for measuring, Assembling



RAPID HOLDING SYSTEMS

FLEXIBLE CLAMPING VISES



D80 flexible tool-Modular combination

Specification

Size	450x350x292
Material	420 Steel 4 8-52HRC
Application	Suit for measuring, Assembling

