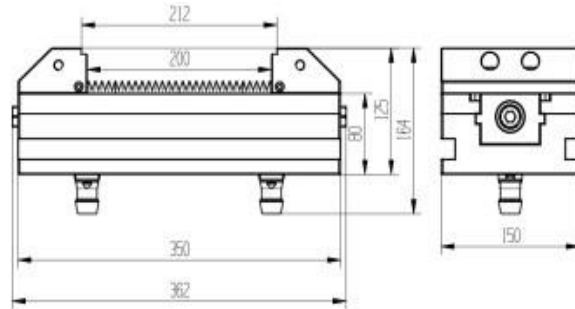
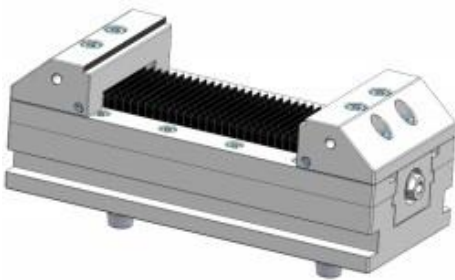




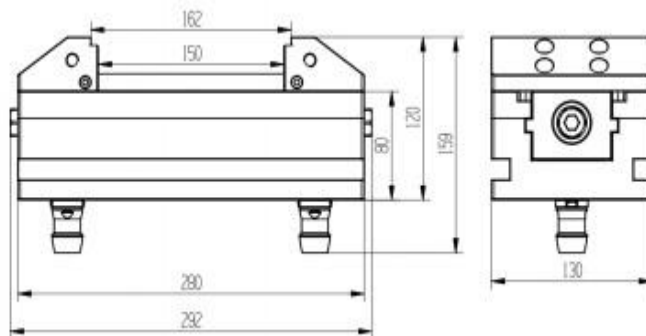
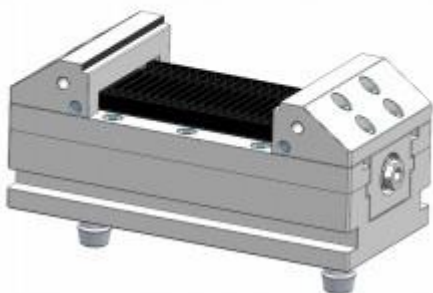
## Self-Centering Vises

**RHS-V0212**



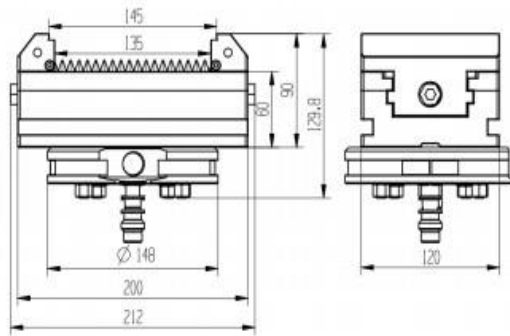
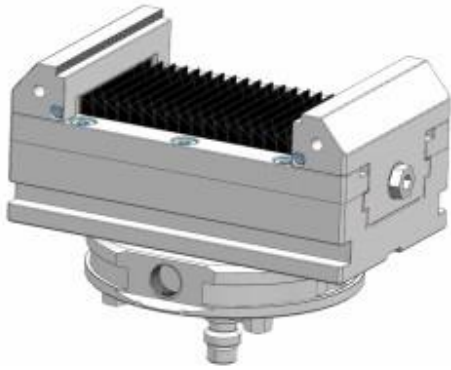
Specification	
Size	350x150x125
Material	420 Stainless steel 48-52HRC
Acessories	Assemble MTS spigot, tolerance+/-0.005

**RHS-V0150**



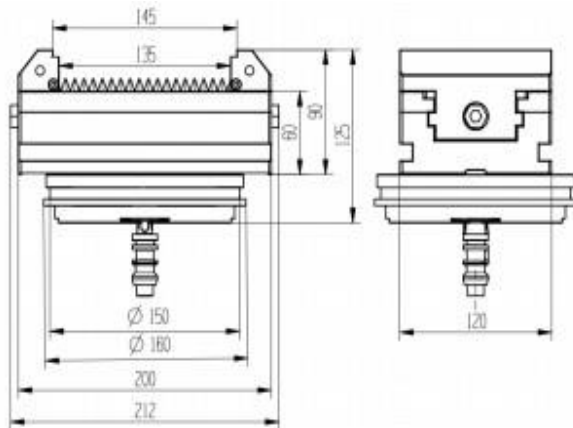
Specification	
Size	280x130x120
Material	420 Stainless steel 48-52HRC
Acessories	Assemble MTS spigot, tolerance+/-0.005

## RHS-V0135



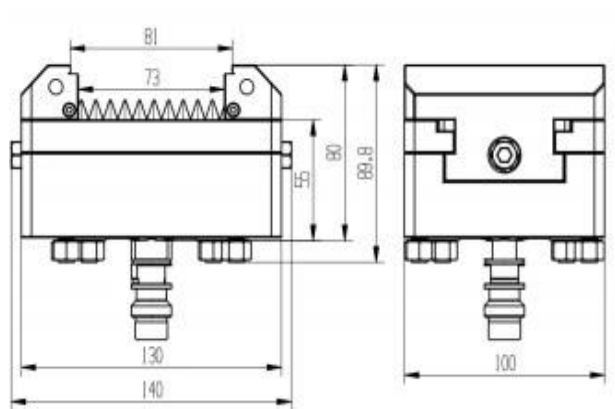
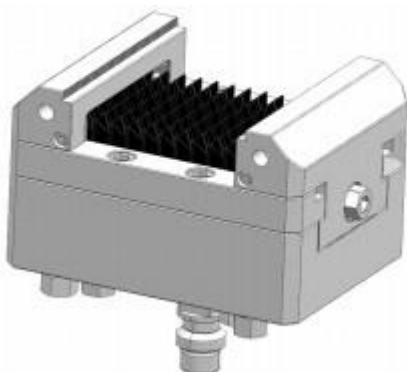
Specification	
Size	200x120x90
Material	420 Stainless steel 48-52HRC
Accessories	D14 ITS flat holder, tolerance+/-0.005

## RHS-V0135-1



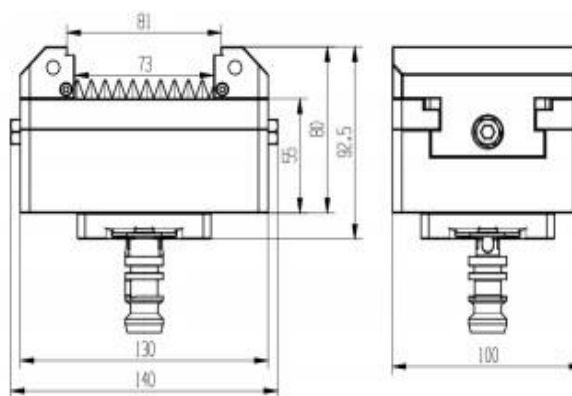
Specification	
Size	200x120x90
Material	420 Stainless steel 48-52HRC
Accessories	With 3M D150 pallet, tolerance+/-0.005

## RHS-E7961VICE



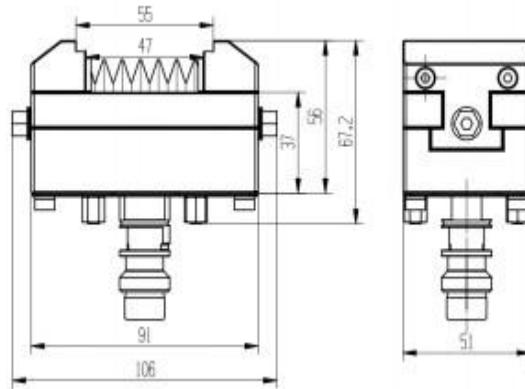
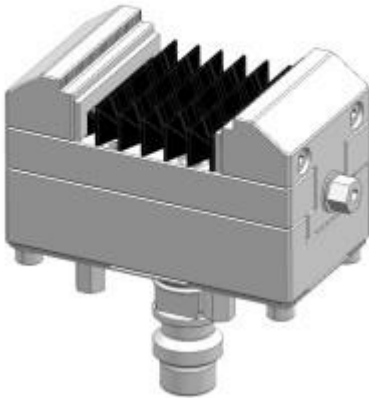
Specification	
Size	130x100x80
Material	420 Stainless steel 48-52HRC
Accessories	With G centering plate, tolerance+/-0.005

## RHS-7961VICE-1



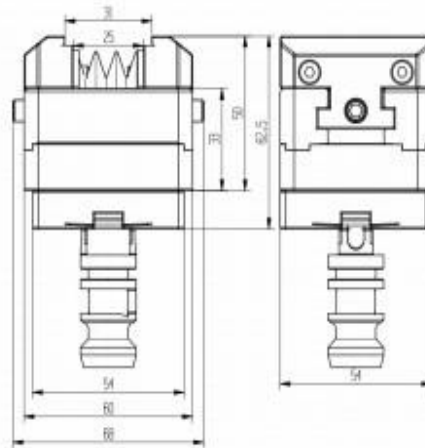
Specification	
Size	130x100x80
Material	420 Stainless steel 48-52HRC
Accessories	With 3R centering plate, tolerance+/-0.00

## RHS-V0047



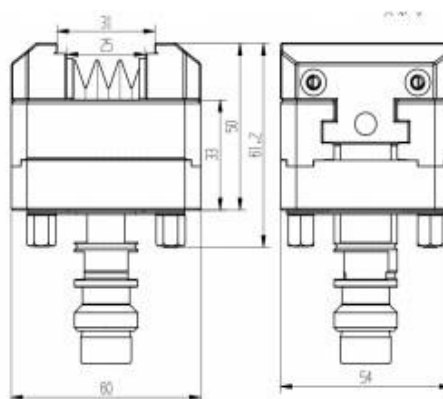
Specification	
Size	91x 51x 56
Material	420 Stainless steel 48-52HRC
Accessories	Erowa centering plate, tolerance+/- 0.005

## RHS-V0025



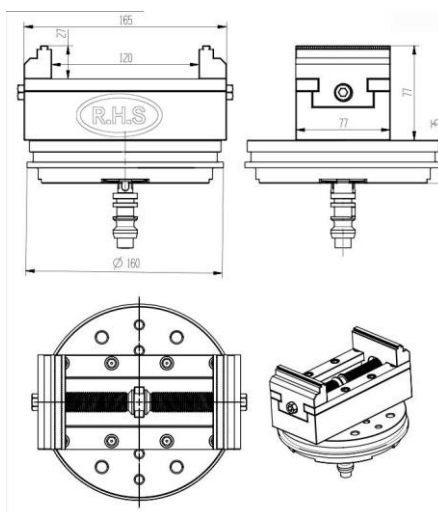
Specification	
Size	60x 54x 50
Material	420 Stainless steel 48-52HRC
Accessories	3R centering plate, tolerance+/- 0.005

# RHS-V0025-1



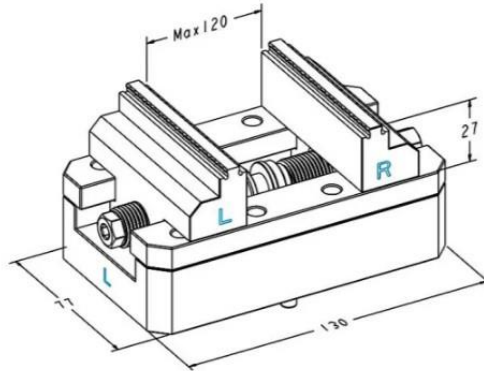
Specification	
Size	60x 54x 50
Material	420 Stainless steel 48-52HRC
Acessories	EROWA centering plate, tolerance+/-0.00

# RHS-S8215



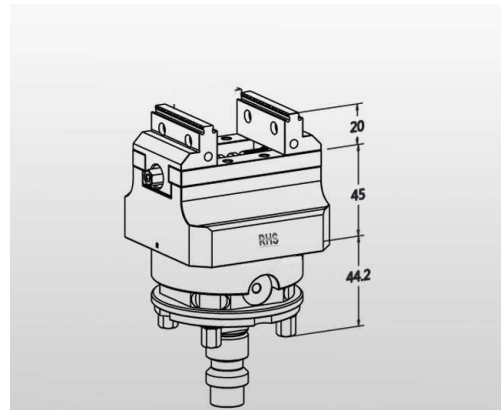
SPECIFICATION	
Work-piece Size	4.725 Inch
Material	Stainless Steel 440c
Version	System 3r macromagnum self centering
pallet compatibility	System 3R 3R-681.51 pallet
Application	Suitable for vertical and horizontal precision processing machine.
Repeatability	.005MM.

## RHS-8002VICE



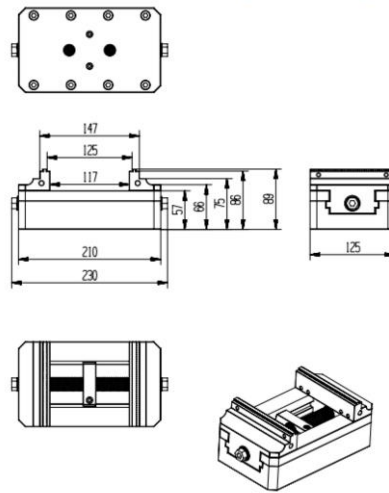
SPECIFICATION	
Application	CNC equipment suitable for horizontal and vertical
Clamping	Maximum Work Piece Size 4.725"
Material	Stainless Steel
Repeatability	0.005mm
Version	Mounted and Centered on EROWA compatible 148 MM G Pallet

## RHS-V8254



version	Small Vise (Its 50) mounted on Erowa compatible D72 pallet
Jaw Width:	45, 2.75 inch workpiece size
Included	1 Chucking Spigot
Material:	Stainless Steel
Type:	Bench Vise
Application:	Punching Machine, Grinding Machine, Slotting Machine, Milling Machine, Drilling Machine, Boring Machine, Its Interface of Precision Machining Equipment

## RHS-V8893-1



### SPECIFICATION

Application	For 5 axis cnc machining steel parts
Jaw width	125 mm
Material	Stainless Steel
Accuracy	0.01mm
Version	Double Self Centered with Repeating Accuracy of 0

## RHS-V8893-S



### SPECIFICATION

Application	For 5 axis cnc machining use
Jaw width	110 mm
Material	Stainless Steel
Accuracy	0.01mm
Version	Double Self Centered with Repeating Accuracy of 0

## RHS-V8893



### SPECIFICATION

Application	Lang compatible 5 axis cnc machining Aluminum parts
Jaw width	120 mm
Material	Stainless Steel
Accuracy	0.01mm
Version	Double Self Centered with Repeating Accuracy of 0

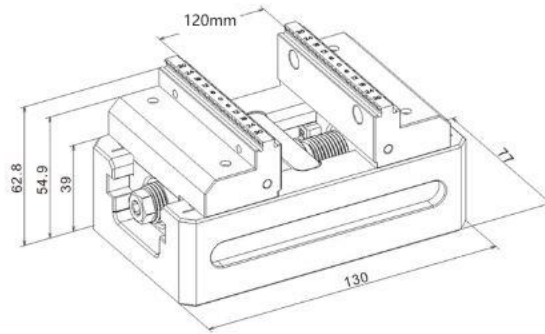
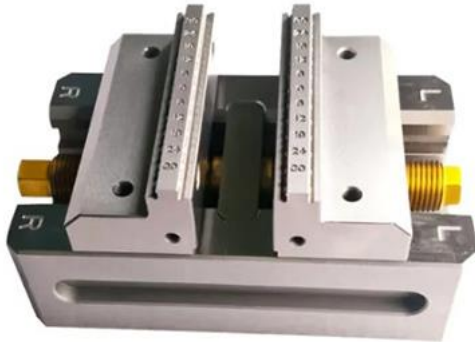


### RHS-7958VICE



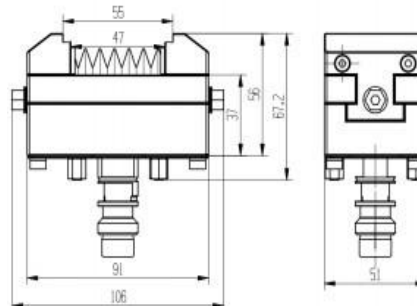
SPECIFICATION	
Application	For 5 axis cnc machining Aluminium parts
Jaw width	120 mm
Material	Stainless Steel
Accuracy	0.01mm
Max clamping force	25Nm
Max cutting force	70Nm
Version	Double Self Centered with Repeating Accuracy of 0

### RHS-7954VICE



SPECIFICATION	
Maximum Work Piece Size	120 mm Lang Compatible
Special Jaw	Can Be Customized
Net Weight	3 kg

### RHS-7961VICE



Specification	
Size	91x 51x 56
Material	420 Stainless steel 48-52HRC
Accuracy	0.01 mm
Version	Vertical and Horizontal Processing Machine