



RAPID HOLDING SYSTEMS

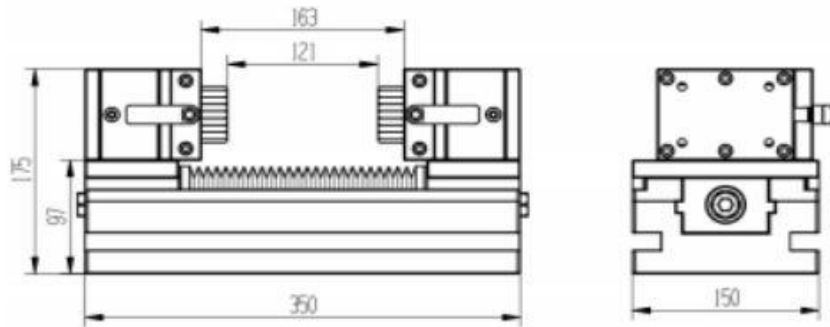
FLEXIBLE CLAMPING VISES

RHS-FV99

RHS Flexible Tooling Self Centering Vise



Specification	
Size	350x150x175
Material	Steel 48-52HRC
Function	Used for processing various irregular parts



RHS-FV37

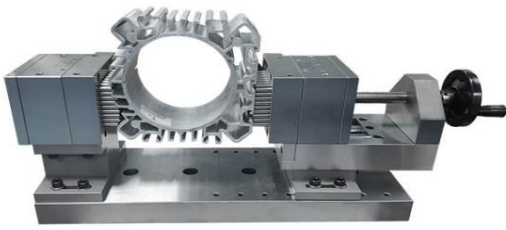
RHS Flexible Clamping Vise 95x65x122mm



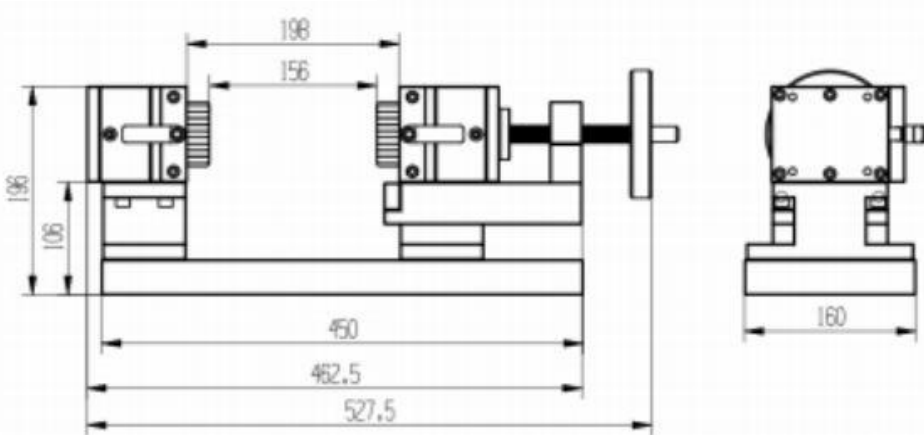
Specification D60 Flexible Tooling Vise	
Size	95x65x122mm
Material	Steel 48-52HRC
Spring	MAX 5500g
Force	100NM

RHS-FV04

RHS Flexible Tooling Vice for CNC Machining



Specification	
Size	527.5x160x196
Material	420Steel 48-52HRC
Function	Used for processing various irregular parts

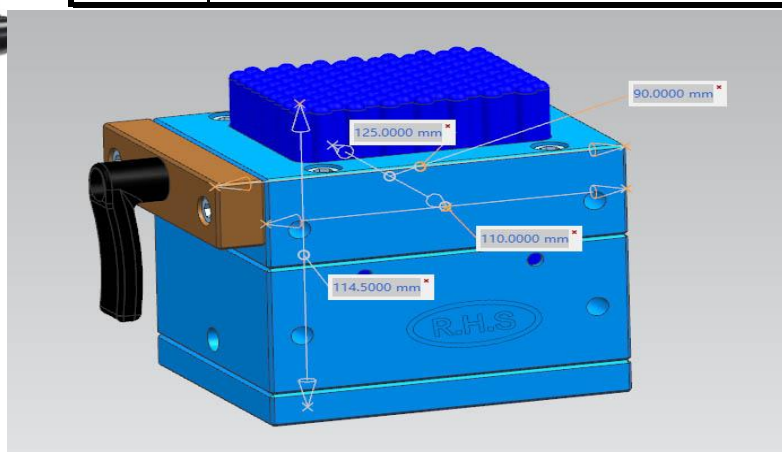


RHS-FV11

RHS Flexible Clamping Tool 110x90x114.5mm



Specification	
Size	110x90x114.5mm
Material	420Steel 48-52HRC
Function	CNC processing complex irregular parts

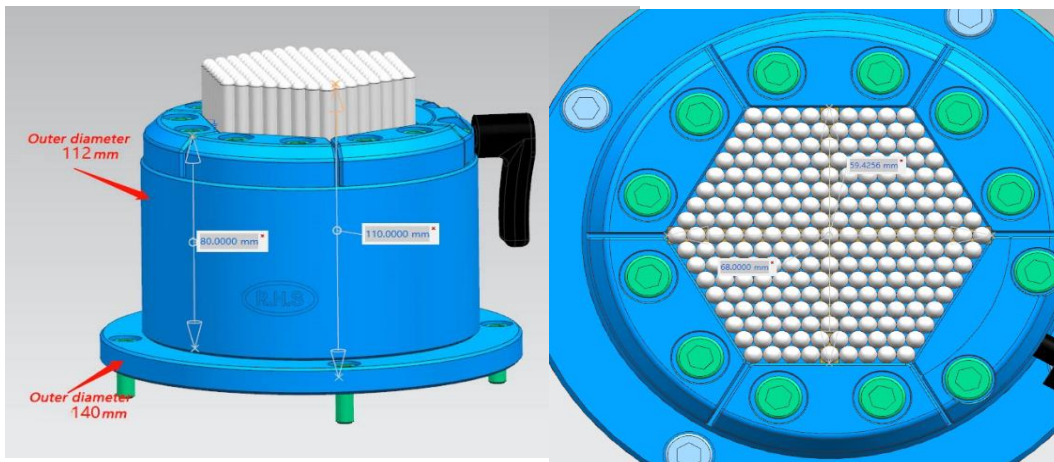


RHS-FV17

RHS Flexible Positioning Clamping Fixture



Specification	
Size	112x110mm
Material	420Steel 48-52HRC
Version	Flexible Positioning Clamping Fixture



RHS-FV27

RHS Flexible Clamping Vise 85x65x102mm



Specification D60 Flexible Tooling Vise	
Size	85x65x102mm
Material	Steel 48-52HRC
Spring	MAX 5500g
Force	100NM

RHS-FV25

RHS Flexible Positioning Clamping D60 Vise



Specification D60 Flexible Tooling Vise	
Size	90x60x122
Material	Steel 48-52HRC
Spring	MAX 3700g
Force	100NM

