

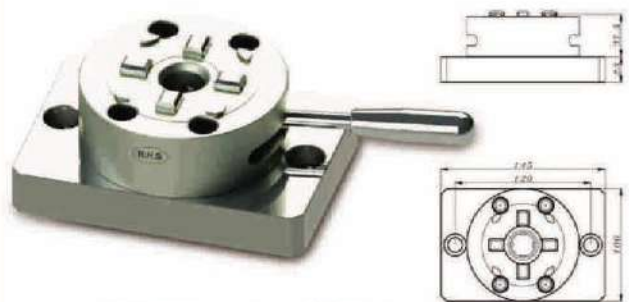
RHS-S5415



SPECIFICATION	
SIZE	Φ 100x49.5mm
MATERIAL	57-60HRC NIPPON STAINLESS STEEL
FORCE POWER	6000N

D100 3M Manual Chuck

RHS-S4585



SPECIFICATION	
SIZE	145x100x60.5mm
MATERIAL	57-60HRC NIPPON STAINLESS STEEL
FORCE POWER	6000N

D100 3M Manual Chuck with CNC Base

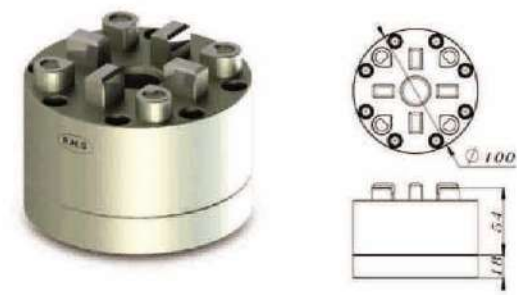
RHS-S4587



SPECIFICATION	
SIZE	Φ 130x82.5mm
MATERIAL	57-60HRC NIPPON STAINLESS STEEL
FORCE POWER	6000N

D100 3M Manual Chuck with EDM Base

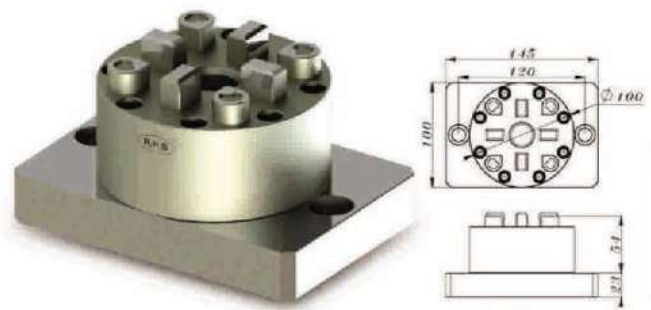
RHS-S5438



SPECIFICATION	
Size	Φ 100x72mm
MATERIAL	57-60HRC NIPPON STAINLESS STEEL
Min Air Pressure	6 Bar
FORCE POWER	10000N

D100 3M Pneumatic Chuck

RHS-S4591



SPECIFICATION	
Size	145x100x77mm
MATERIAL	57-60HRC NIPPON STAINLESS STEEL
Min Air Pressure	6 Bar
FORCE POWER	10000N

D100 3M CNC Pneumatic Chuck

RHS-S4593



SPECIFICATION	
Size	Φ 130x99mm
MATERIAL	57-60HRC NIPPON STAINLESS STEEL
Min Air Pressure	6 Bar
FORCE POWER	10000N

D100 3M EDM Pneumatic Chuck



3M System(Equivalent to 3R)

RHS-S4595



SIZE: 70X70X27mm
MATERIAL: NIPPON STAINLESS STEEL 57-60HRC
FORCE POWER: 10000N

System 3R 3R-600.24-4RS compatible Manual Chuck for Macro

RHS-S5366



Size: 70*70
Locking Screw: Locking
Force power: 8000N

System 3R Compatible 3R-610.21 Manual chuck Macro

RHS-S5393



SIZE 54X54 mm
MATERIAL NIPPON STEEL 57-60HRC
VERSION: Manual

System 3R 3R-600.15-3 Pneumatic chuck Macro Compatible



3M System(Equivalent to 3R)

RHS-S7209



SPECIFICATION	
VERSION	MANUAL HYDRAULIC CHUCK
MOUNTING POSITION	VERTICAL AND HORIZONTAL
INDEX POSITIONS	FIXED 4X90 DEGREES
FORCE POWER	4000N

System 3R 3R-321.46 Mini Block compatible, Manual Hydraulic Chuck

RHS-S6999



SPECIFICATION	
APPLICATION	HORIZONTAL MOUNTING OF MACRO HOLDERS
FIXED INDEX POSITION	4*90DEGREE
COMPATIBILITY	3r-652.9
INCLUDES	DRAWBAR FOR SCREW LOCKING

3R-652.9 System 3r Manual Chuck Adapter 90 degree compatible

RHS-S6760



Product Size	198x170x83mm
Material	Nippon Stainless Steel
Force Power	15000N
Air Pressure Requirement	6 Bar
Drawbar Required	3R-605.1 or 3R-605.4
Application	Position and fix workpiece for CNC lathe

System 3R compatible 3R-680.10-2 Pneumatic Table Chuck



3M System(Equivalent to 3R)

RHS-S7796



for applications in five-axis machines.
 Air connection from below.
 Required air pressure 6 ±1 bar.
 Fixed index positions 4×90°.
 Air-blast cleaning of the Z-references

System 3R 3R-770-5 Compatible Pneumatic chuck Dynafix

RHS-S5447



Pneumatic chuck locked/opened with air gun.
 – Required drawbar 3R-605.1 and 3R-605.4
 – All references of hardened and ground steel
 – Required air pressure 6±1 bar
 – Fixed index positions 4×90°
 – Air-blast cleaning of the Z-references
 – Turbo locking

SYSTEM 3R Compatible 3R-600.10-30 PNEUMATIC TABLE CHUCK MACRO.

RHS-S6844.1



Product Size 300x102x108.5mm
 Material Nippon Stainless Steel
 Force Power 10000N
 Air Pressure Requirement 6 Bar
 Switch 2 Chucks Control by 1 Switch
 Application Position and Fix Workpiece for CNC lathe

System 3R Compatible 2 in 1 CNC Pneumatic Chuck



3M System(Equivalent to 3R)

RHS-S6838.1



Product Size 400x102x108.5mm
 Material Nippon Stainless Steel
 Force Power 10000N
 Air Pressure Requirement 6 Bar
 Switch 3 chucks control by 1 switch
 Application Position and fix workpiece for CNC lathe

System 3R Compatible 3 in 1 CNC Pneumatic Chuck

RHS-S6820



Product Size 310x270x108.5mm
 Material Nippon Stainless Steel
 Force Power 10000N
 Air Pressure Requirement 6 Bar
 Switch 4 chucks control by 2 switches
 Application Position and fix workpiece for CNC lathe

System 3R Compatible 4 in 1 CNC Pneumatic Chuck

RHS-S6816.1



Product Size 310x410x108.5mm
 Material Nippon Stainless Steel
 Force Power 10000 N
 Air Pressure Requirement 6 Bar
 Switch 6 chucks control by 2 switches
 Application Position and fix work piece for CNC lathe

System 3R Compatible 6 in 1 CNC Pneumatic Chuck.



3M System(Equivalent to 3R)

RHS-S6801.1



Product Size 310x560x108.5mm
 Material Nippon Stainless Steel
 Force Power 10000 N
 Air Pressure Requirement 6 Bar
 Switch 8 chucks control by 2 switches
 Application Position and fix work piece for CNC lathe

System 3R Compatible 8 in 1 CNC Pneumatic Chuck.

RHS-S6808.1



Product Size 410x450x108.5mm
 Material Nippon Stainless Steel
 Force Power 10000 N
 Air Pressure Requirement 6 Bar
 Switch 9 chucks control by 3 switches
 Application Position and fix work piece for CNC lathe

System 3R Compatible 9 in 1 CNC Pneumatic Chuck

RHS-S6768.1



Product Size 230x180x85.5mm
 Material Nippon Stainless Steel
 Force Power 10000N
 Air Pressure Requirement 6 Bar
 Switch 4 chucks control by 1 switch
 Application Position and fix workpiece for CNC lathe

System 3R Compatible 4 Heads Tiny CNC Pneumatic Chuck.



3M System(Equivalent to 3R)

RHS-S6792.1



Product Size 230x280x85.5mm
 Material Nippon Stainless Steel
 Force Power 10000N
 Air Pressure Requirement 6 Bar

System 3R Compatible 6 Heads Tiny CNC Pneumatic Chuck.

RHS-S6796.1



Product Size 300x350x90.5mm
 Material Nippon Stainless Steel
 Force Power 6000N
 Air Pressure Requirement 6 Bar
 Switch 9 chucks control by 3 switches

System 3R Compatible 9 Heads Tiny CNC Pneumatic Chuck.

RHS-S5412

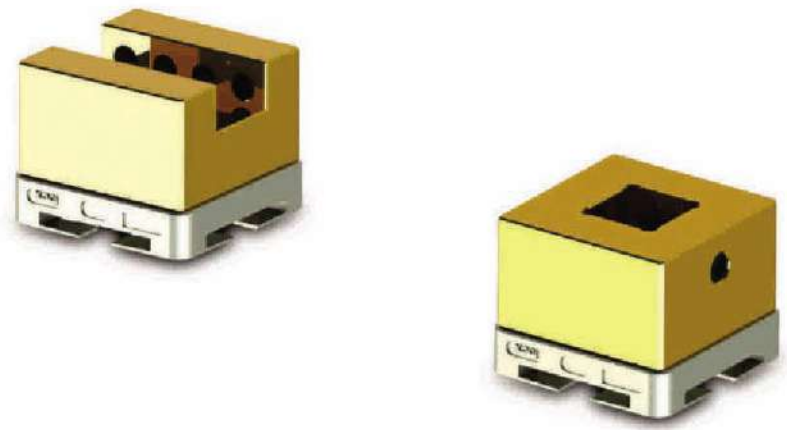


CNC WEDM Square
 Rust Proof Quick Chuck
 54MM 2"
 Macro chuck mounted to rail

System 3R Macro Compatible Multi Chuck System Rail Mounted.



3M System(Equivalent to 3R)



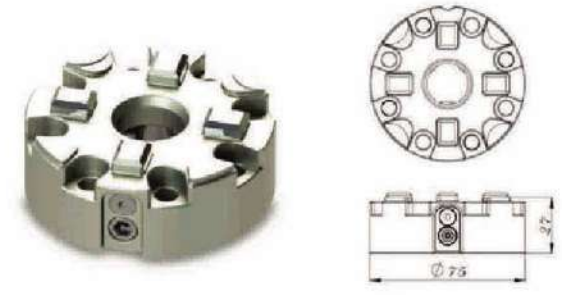
BRASS HOLDER

Model	Name	Size
RH-3M0024	U15 Brass Holder (3M)	54x54x42.3mm
RH-3M0025	U20 Brass Holder (3M)	54x54x42.3mm
RH-3M0026	U25 Brass Holder (3M)	54x54x42.3mm
RH-3M0027	U30 Brass Holder (3M)	54x60x42.3mm
RH-3M0028	S15 Brass Holder (3M)	54x54x42.3mm
RH-3M0029	S15 Brass Holder (3M)	54x54x42.3mm
RH-3M0030	S15 Brass Holder (3M)	54x54x42.3mm
RH-3M0031	S15 Brass Holder (3M)	54x54x42.3mm
RH-3M0032	S15 Brass Holder (3M)	54x81x35.5mm



3M System(Equivalent to 3R)

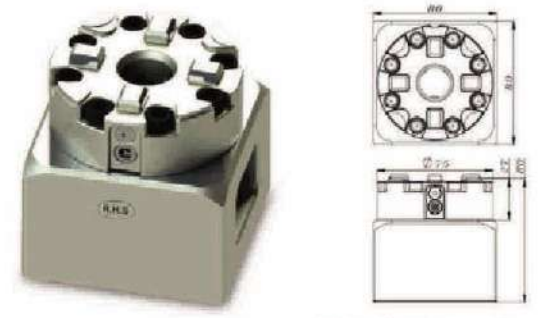
RHS-S4578



D75 3M Marco Chuck

SPECIFICATION	
SIZE	Φ75x27mm
MATERIAL	57-60HRC NIPPON STAINLESS STEEL
FORCE POWER	6000N

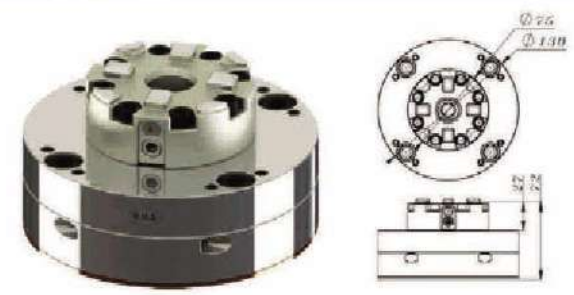
RHS-S4300



D75 3M CNC Marco Chuck

SPECIFICATION	
SIZE	Φ80x80x80mm
MATERIAL	57-60HRC NIPPON STAINLESS STEEL
FORCE POWER	6000N

RHS-S4581



D75 3M EDM Marco Chuck

SPECIFICATION	
SIZE	Φ130x73mm
MATERIAL	57-60HRC NIPPON STAINLESS STEEL
FORCE POWER	6000N



3M System(Equivalent to 3R)

RHS-S5388



Name	ER-16 Collet Holder
SIZE	For ER-16
MATERIAL	4B-52HRC Stainless Steel 420
Included	Ø 12 Collet 1pcs
Tolerance	After Assemble Copper Electrode, Concentricity Tolerance ± 0.015mm

RHS-S7701



Name	ER-20 Collet Holder
SIZE	For Er-20
MATERIAL	4B-52HRC Stainless Steel 420
Included	Ø 12 Collet 1pcs
Tolerance	After Assemble Copper Electrode, Concentricity Tolerance ± 0.015mm

RHS-S4574



Name	ER-32 Collet Holder
SIZE	52x52x78mm
MATERIAL	4B-52HRC Stainless Steel 420
Included	Ø 12 Collet 1pcs
Tolerance	After Assemble Copper Electrode, Concentricity Tolerance ± 0.015mm

RHS-S4576.1



Name	Electrode Calibration
Size	Ø100x110mm
Application	With 3M Centering Plate, Side Thrust 20-30kg, Deviation 0.05mm



3M System(Equivalent to 3R)



STAINLESS STEEL HOLDER

Model	Name	SLOT SIZE
RHS-S6277.U15	U15-ST Holder	15.5 mm
RHS-S6277-1	U20-ST Holder	20.5 mm
RHS-S6277-2	U25-ST Holder	25.5 mm
RHS-S6277-3	U30-ST Holder	30.5 mm
RHS-S7743.15S	S15-ST Holder	15.5 mm
RHS-S7743.20S	S20-ST Holder	20.5 mm
RHS-S7743.25S	S25-ST Holder	25.5 mm
RHS-S7443.30S	S30-ST Holder	30.5 mm